

BLUGLASS

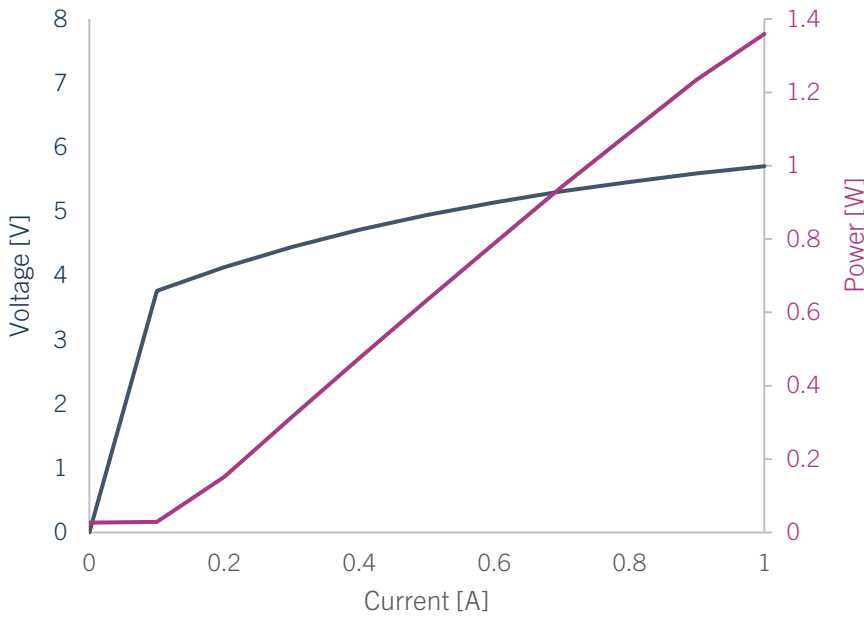
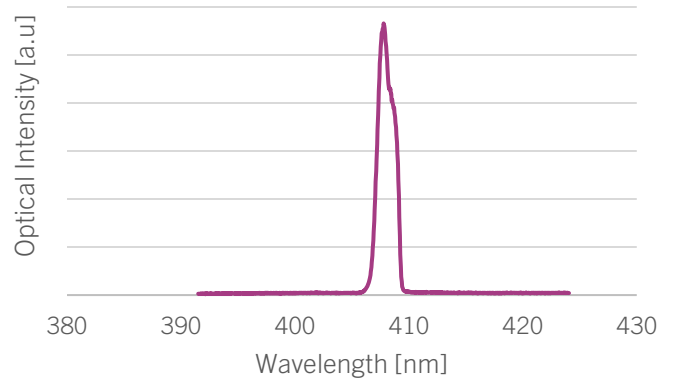
Custom GaN Laser Diodes

405nm MULTI MODE 1W LASER DIODE

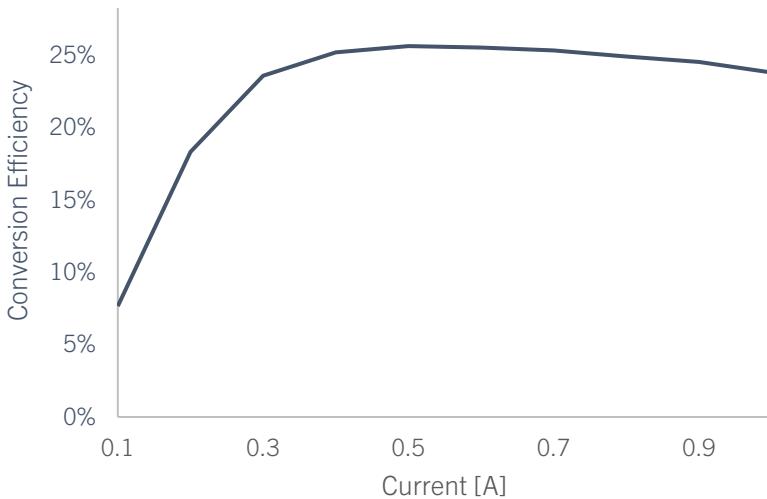
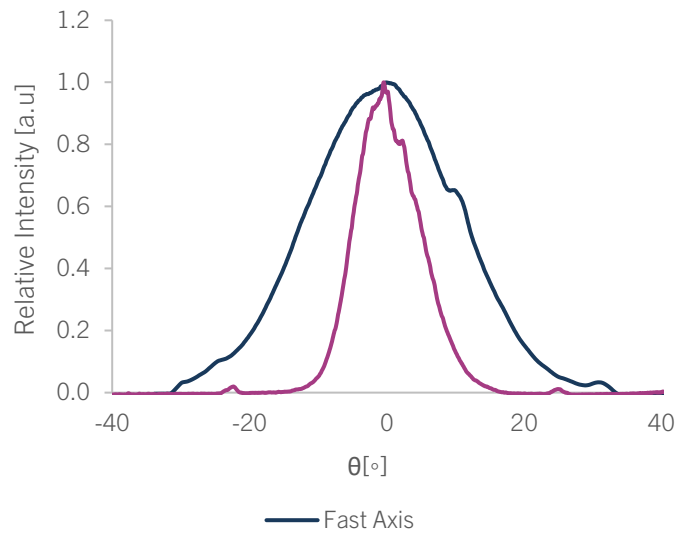
LIV Results

Max. Power	1.3W
Max. Current	1.0A
Max. Slope	1.3 W/A
Threshold current	120 mA
Max. Wavelength	409nm

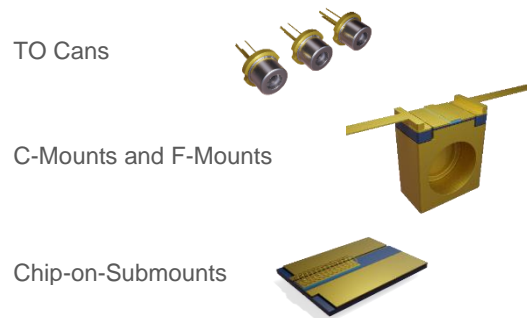
CW Spectrum [1A]



Far Field Data, COS, CW 1A



FLEXIBLE FORM FACTORS



BLUGLASS LIMITED

74 Asquith Street, Silverwater, NSW, 2128 Australia
sales@bluglass.com | www.bluglass.com

BLUGLASS INC

77 Northeastern Blvd., STE 103,
 Nashua, NH, 03062 USA