

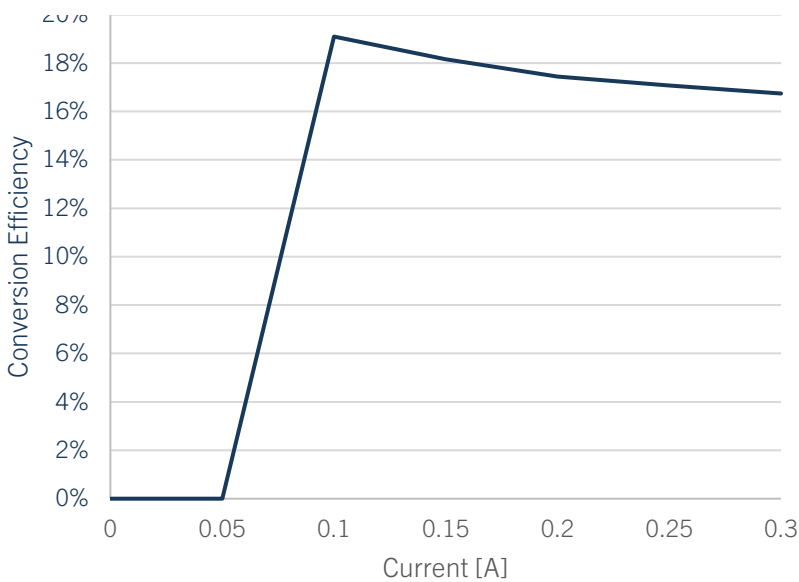
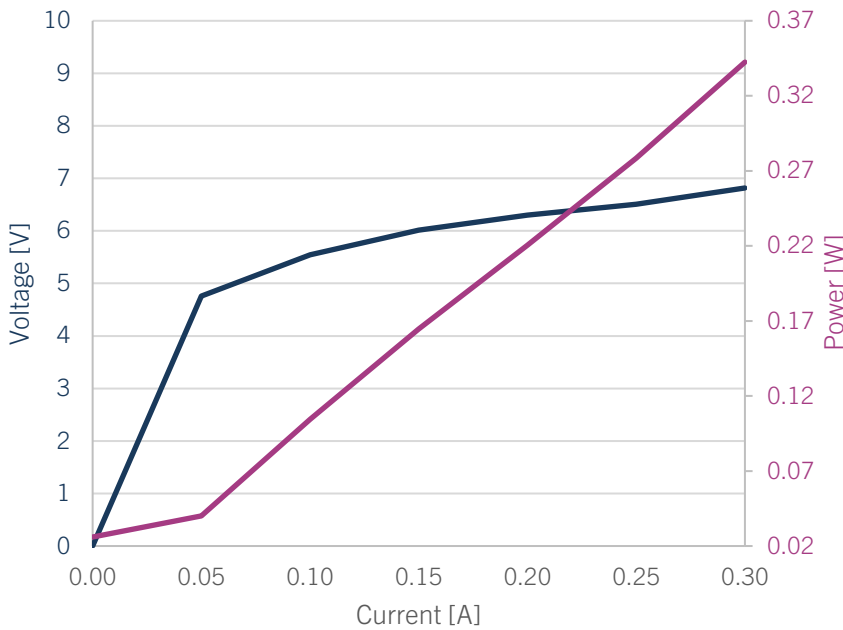
BLUGLASS

Custom GaN Laser Diodes

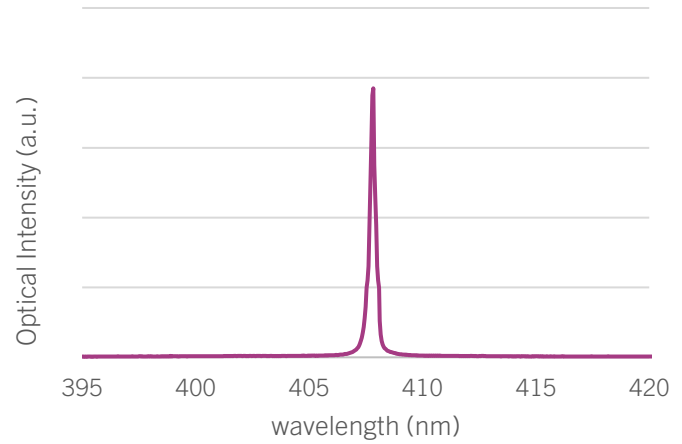
405nm SINGLE MODE 250mW LASER DIODE

LIV Results

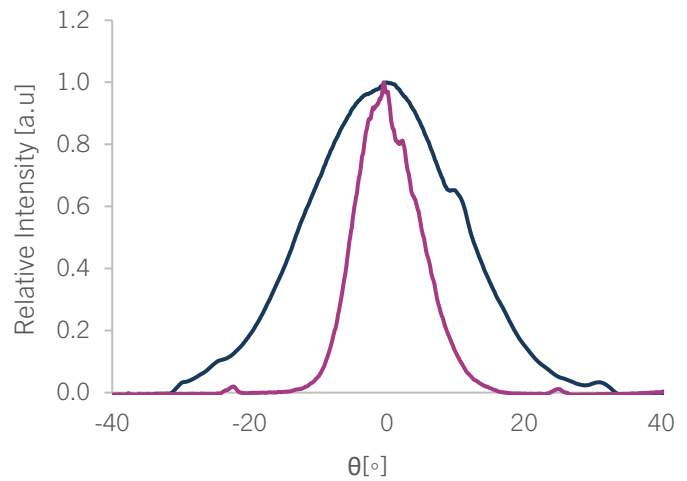
Max. Power	342 mW
Max. Current	300 mA
Max. Slope	1.19 W/A
Threshold current	50 mA
Max. Wavelength	408nm



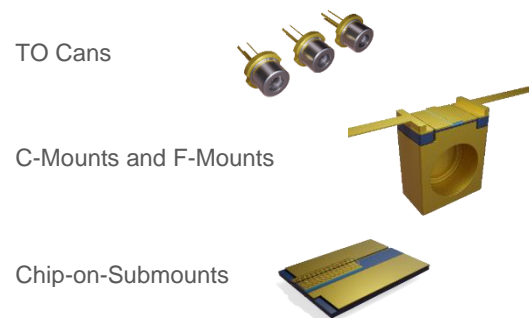
CW Spectrum (50 mA)



Far Field Data, COS, CW 1A



FLEXIBLE FORM FACTORS



BLUGLASS LIMITED

74 Asquith Street, Silverwater, NSW, 2128 Australia
sales@bluglass.com | www.bluglass.com

BLUGLASS INC

77 Northeastern Blvd., STE 103,
 Nashua, NH, 03062 USA