

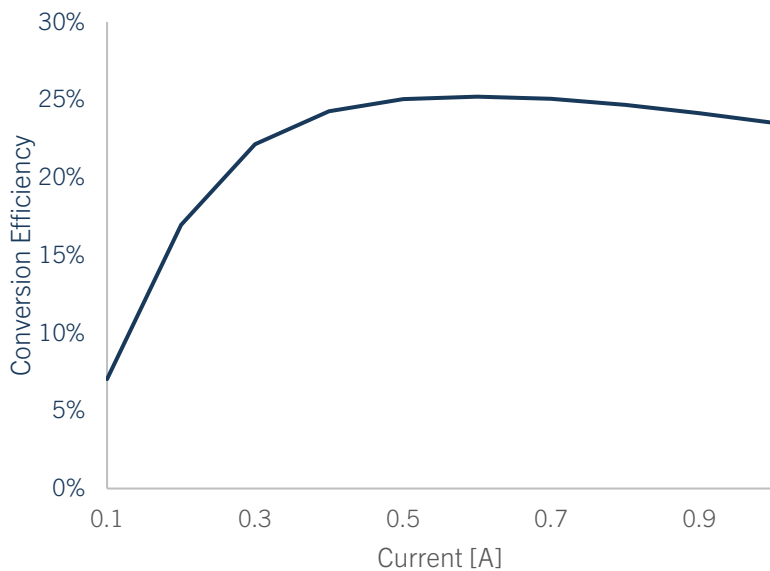
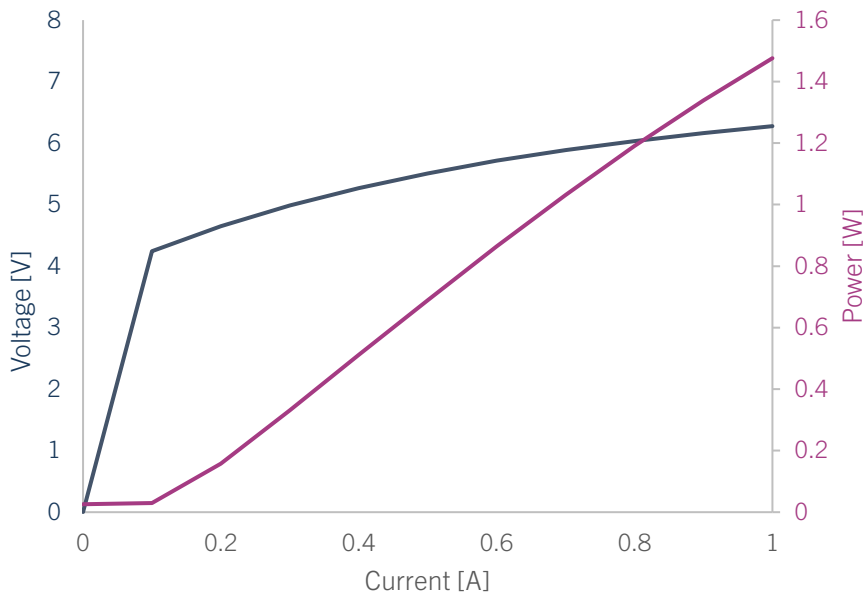
# BLUGLASS

## Custom GaN Laser Diodes

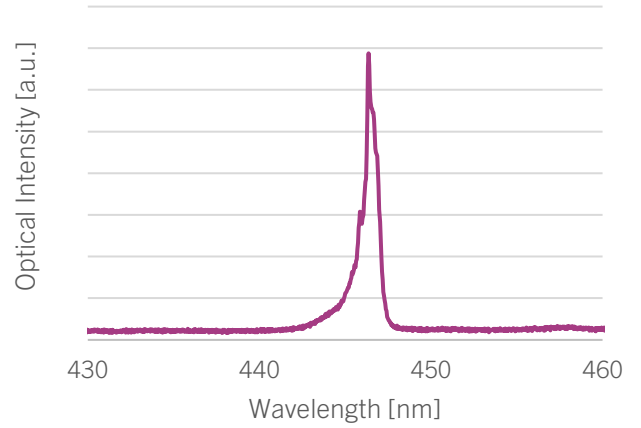
### 450nm MULTI MODE 1W LASER DIODE

#### LIV Results

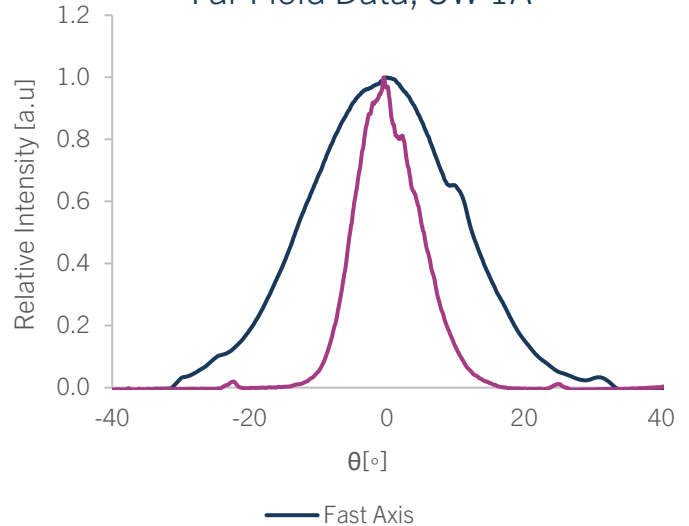
Max. Power	1.4W
Max. Current	1.0A
Max. Slope	1.7 W/A
Threshold current	100 mA
Max. Wavelength	446nm



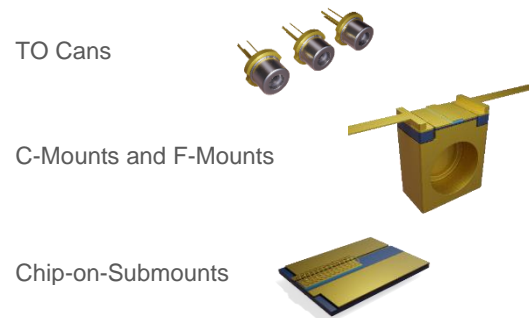
#### MM CW Spectrum



#### Far Field Data, CW 1A



#### FLEXIBLE FORM FACTORS



#### BLUGLASS LIMITED

74 Asquith Street, Silverwater, NSW, 2128 Australia  
[sales@bluglass.com](mailto:sales@bluglass.com) | [www.bluglass.com](http://www.bluglass.com)

#### BLUGLASS INC

77 Northeastern Blvd., STE 103,  
 Nashua, NH, 03062 USA