

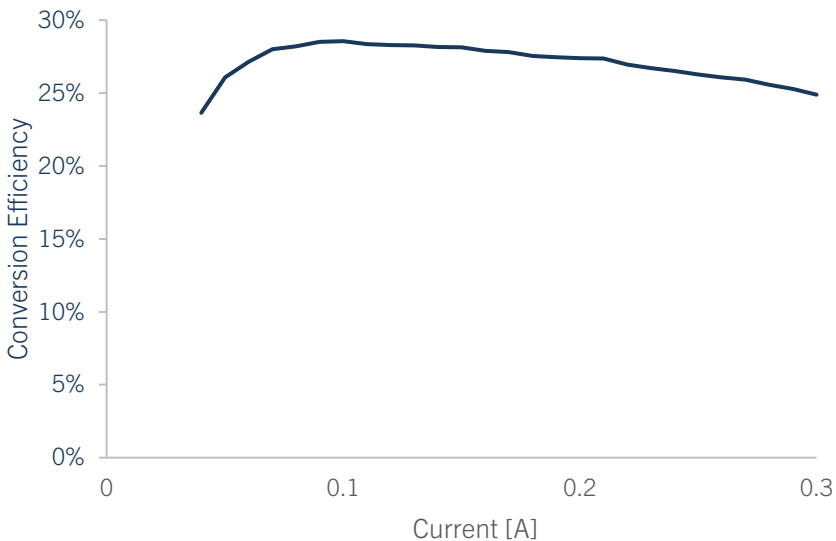
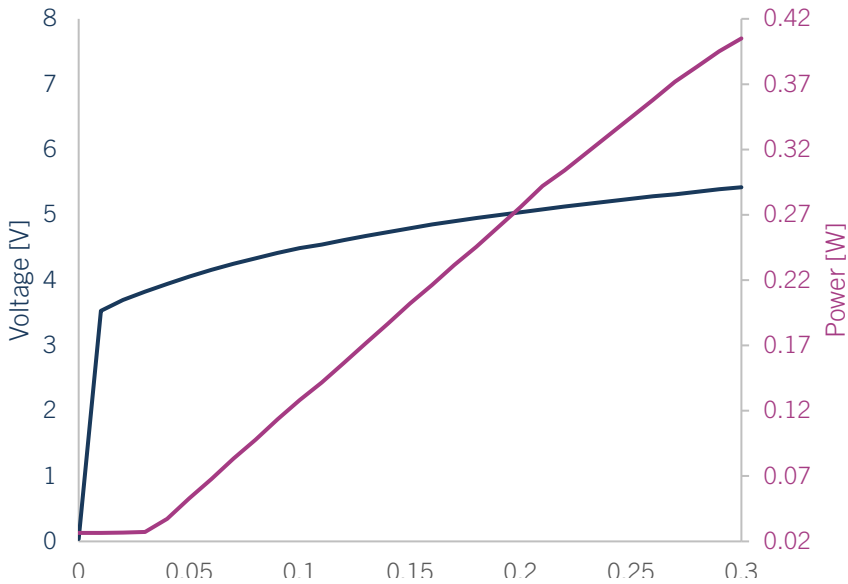
BLUGLASS

Custom GaN Laser Diodes

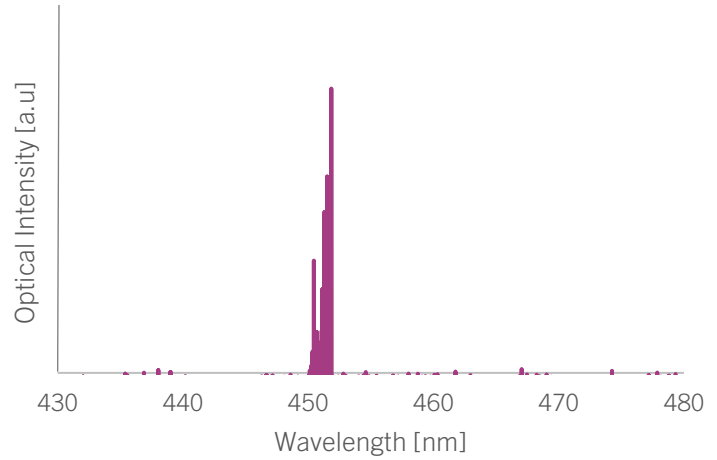
450nm SINGLE MODE 250mW LASER

LIV Results

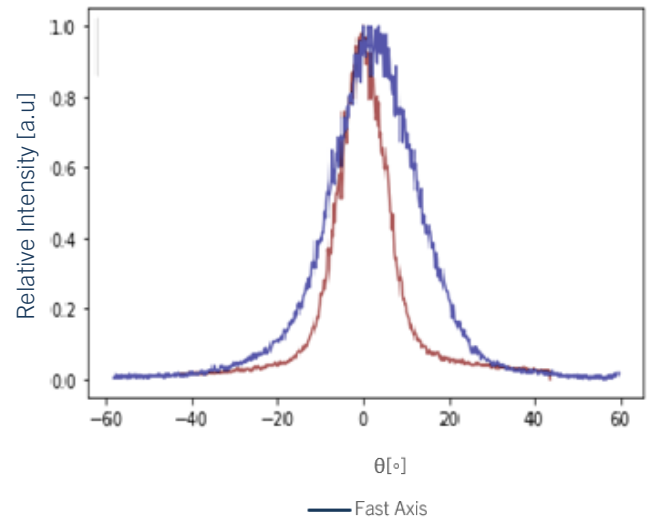
Max. Power	380 mW
Max. Current	300 mA
Max. Slope	1.25 W/A
Threshold current	30 mA
Max. Wavelength	452nm



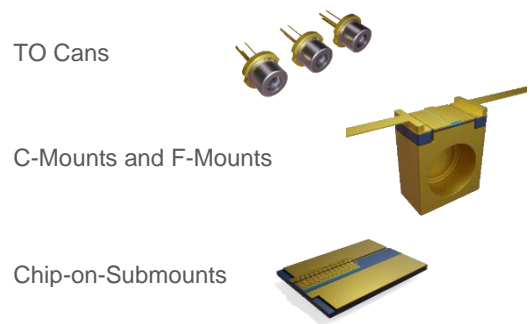
CW Spectrum [0.25A]



Far Field Data, COS, CW



FLEXIBLE FORM FACTORS



BLUGLASS LIMITED

74 Asquith Street, Silverwater, NSW, 2128 Australia
sales@bluglass.com | www.bluglass.com

BLUGLASS INC

77 Northeastern Blvd., STE 103,
 Nashua, NH, 03062 USA